
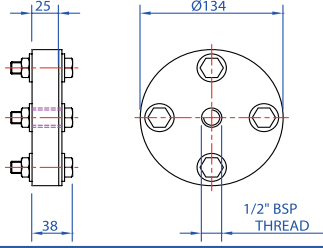

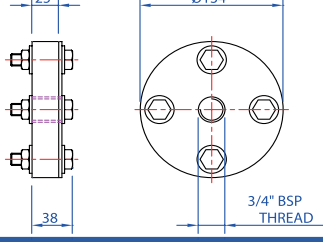

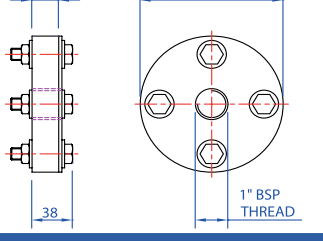

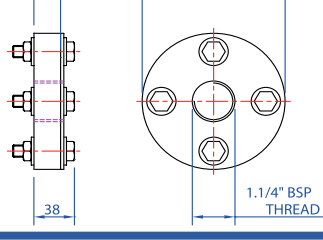

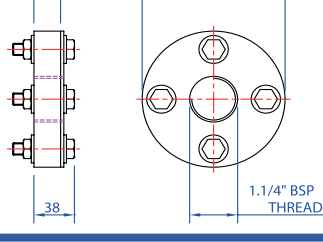

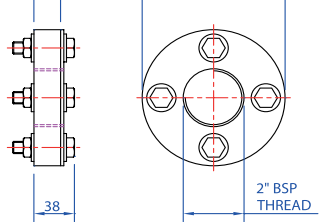


Tank Connectors - PVC BSP Female Flanges

purewater.
storage ltd

<p>1/2" BSP Flange</p> 	
<p>3/4" BSP Flange</p> 	
<p>1" BSP Flange</p> 	
<p>1.1/4" BSP Flange</p> 	
<p>1.1/2" BSP Flange</p> 	
<p>2" BSP Flange</p> 	

- Heavy duty flanges with a BSP female thread running through the full width of the flange.
- Manufactured from PVC.
- Suitable for fitting directly onto the tank wall with A4 stainless steel M12 fixings, ensuring a secure mounting which will not turn when components are screwed into it.
- Available from 1/2" up to and including 2.1/2".
- Suitable for fitting either internal or external to the tank wall.
- Components can be fitted to either side of the flange or both sides simultaneously, component type permitting.
- All supplied complete with an EPDM gasket and M12 x 50 fixings to secure it to the tank wall.
- A very versatile and reliable connection format suitable for a multitude of applications.
- We can also manufacture bespoke connections to suit most applications, with most thread types and flange configurations - in PVC, ABS or Polypropylene materials, please call us with your requirements.