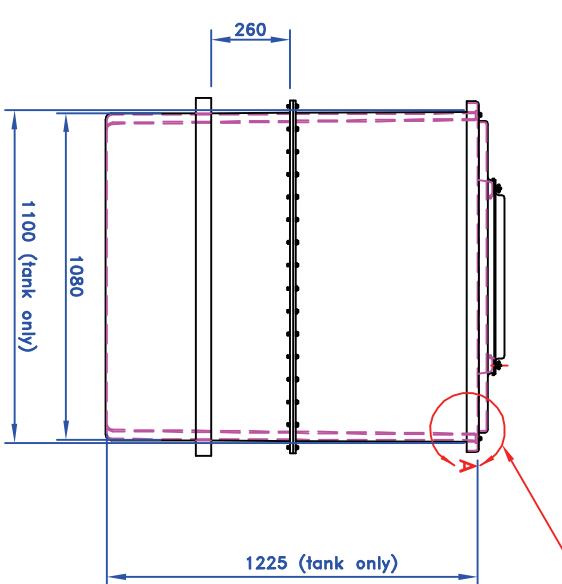
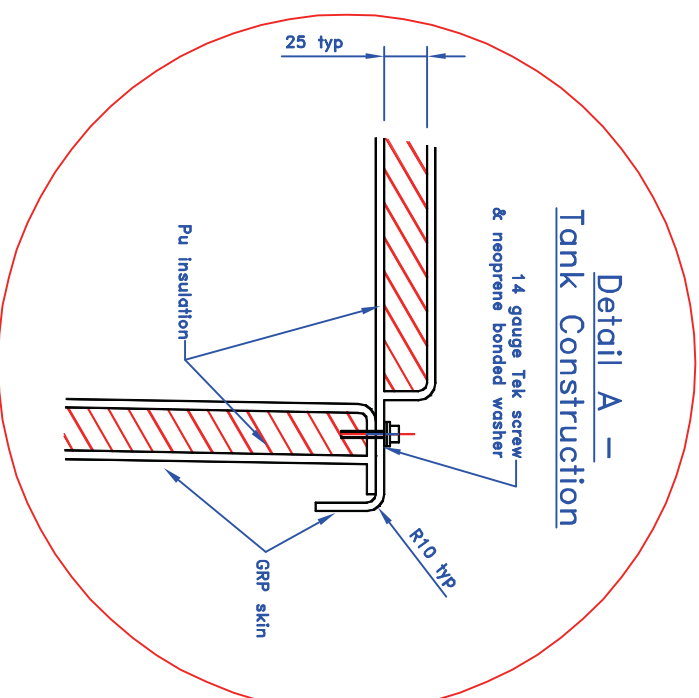
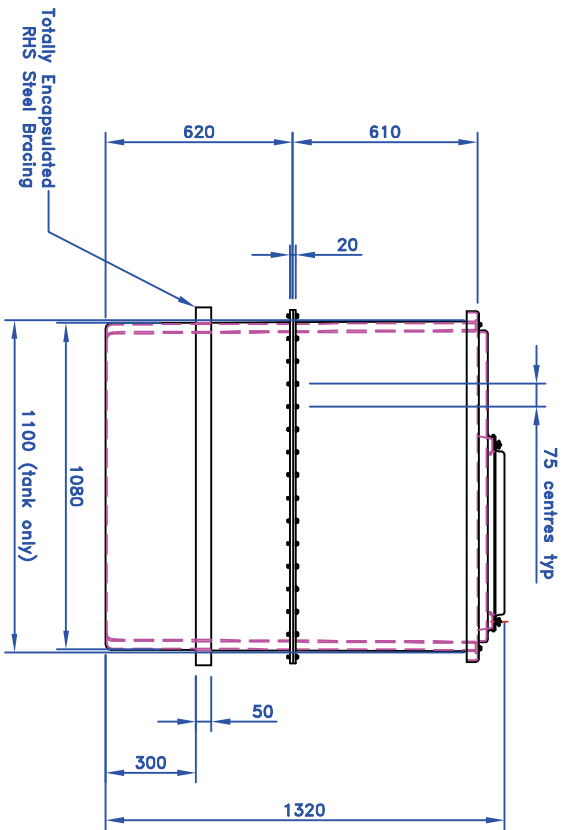
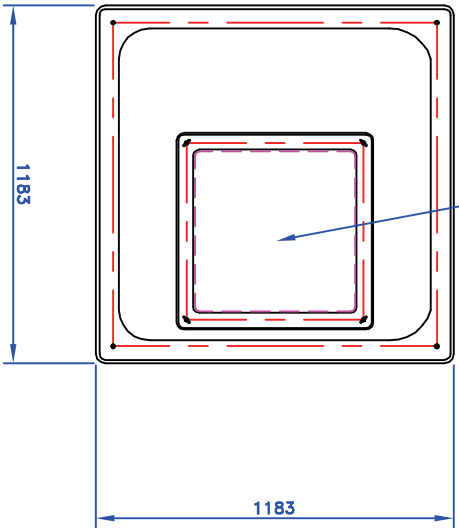


Standard Square Manway
See drawing 'MWS20 SQ'



NOTE:
FIXINGS AND GASKET
TO SUIT JOINT FLANGE
ARE SUPPLIED INSIDE
THE TANK.

DRAWINGS NO.	PW1220-2	TITLE	PW 1220/2 TWO PIECE COLD WATER STORAGE TANK	
ALL DIMENSIONS ± 1mm UNLESS OTHERWISE STATED	SCALE	DATE	18/11/2010	1:25
NOTES	CUSTOMER	DATE	18/11/2010	1:25
<p>All Purewater tanks must be fully supported on a flat, level & continuous foundation providing structural support to the tank when full to maximum operating capacity. Under no circumstances should the tank body be used to provide support to pipework and ancillary items. The tank lid is a structural part of the tank and must be in place and sealed correctly when water is contained within the tank.</p>	N.DUDDY	DATE	18/11/2010	1:25
<p>DATE MOD</p> <p>REVISED</p> <p>EXTERNAL DIMS 1000 x 1000 x 1220mm</p> <p>EXTERNAL DIMS 1183 x 1183 x 1320mm</p> <p>FLANG SECTION DIMS 1183 x 1183 x 820mm</p> <p>NOM. CAPACITY 1220 Litres</p> <p>DRY WEIGHT 1000 Kg</p> <p>INSULATION 25mm</p>	CUSTOMER	DATE	18/11/2010	1:25
<p>ALL DIMENSIONS IN MM - DO NOT SCALE</p>				
<p>TANK SPECIFICATION:</p>				
<p>purewater storage ltd</p> <p>Trukey Copples Farm</p> <p>Medfield</p> <p>Tinworth</p> <p>Suffolk</p> <p>B19 2BU</p> <p>Tel: 0121 323 4000</p> <p>Fax: 0121 323 4400</p> <p>www.purewatersolutions.co.uk</p>				