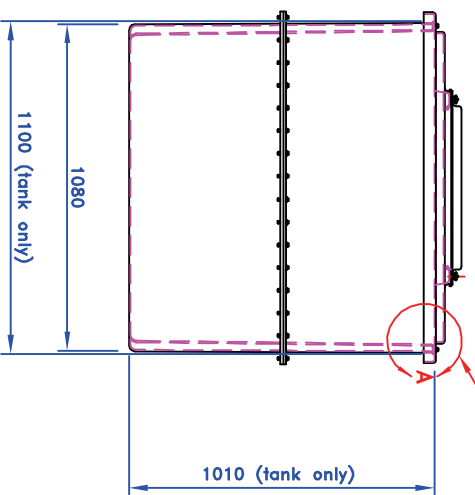
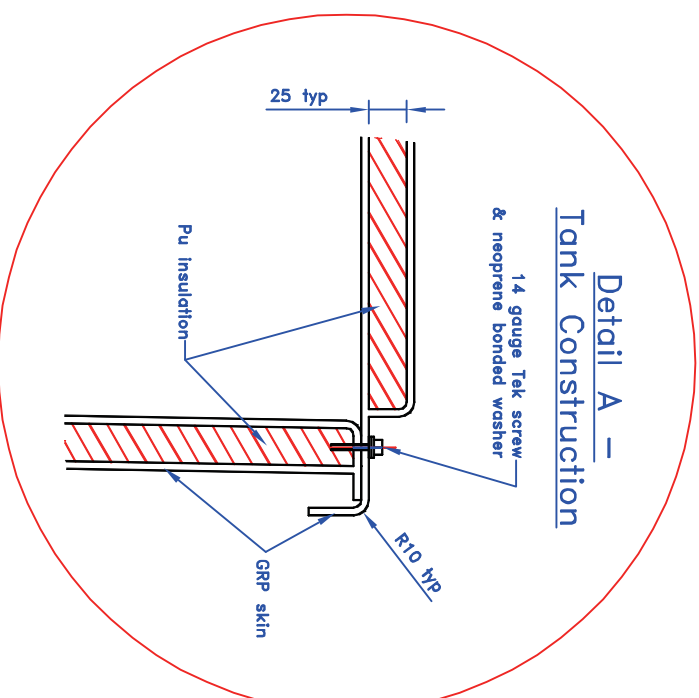
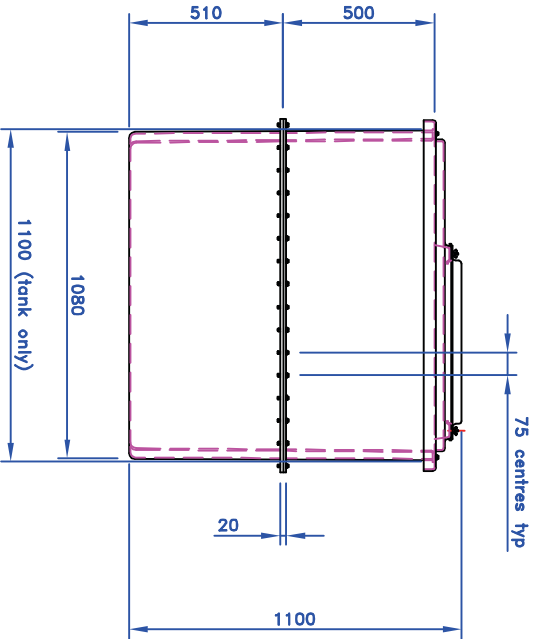
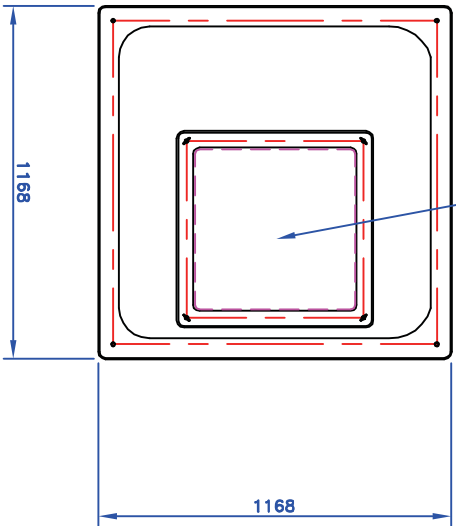


Standard Square Manway
See drawing 'MWS20 SQ'



NOTE:
FIXINGS AND GASKET
TO SUIT JOINT FLANGE
ARE SUPPLIED INSIDE
THE TANK.

DRAWING NO.	PW 1000-2
SCALE	1:25
CUSTOMER	CUSTOMER
DATE	18/11/2010
DESIGNED BY	N.DUDDY

TITLE	PW 1000/2 TWO PIECE COLD WATER STORAGE TANK
DATE	
MOD	
ISSUE	

TANK SPECIFICATION:	
INTERNAL DIMS	1000 x 1000 x 1000mm
EXTERNAL DIMS	1168 x 1168 x 1100mm
EACH SECTION DIMS	1168 x 1168 x 510mm
NOM. CAPACITY	1000 Litres
DRY WEIGHT	54kg
INSULATION	25mm

purewater storage ltd

Trukey Copples Farm
Medwellen
Timewen
Sullis
B78 2BU

Tel: 0121 323 4000
Fax: 0121 323 4400
www.purewatersolutions.co.uk