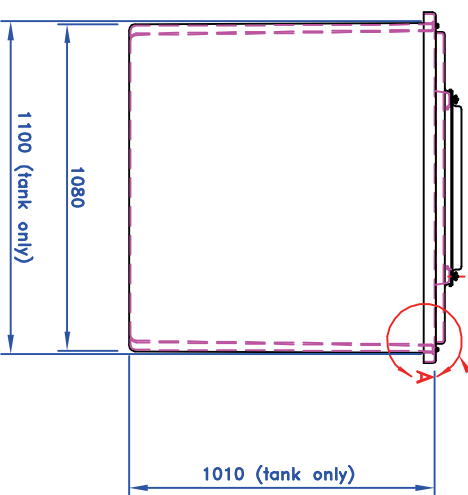
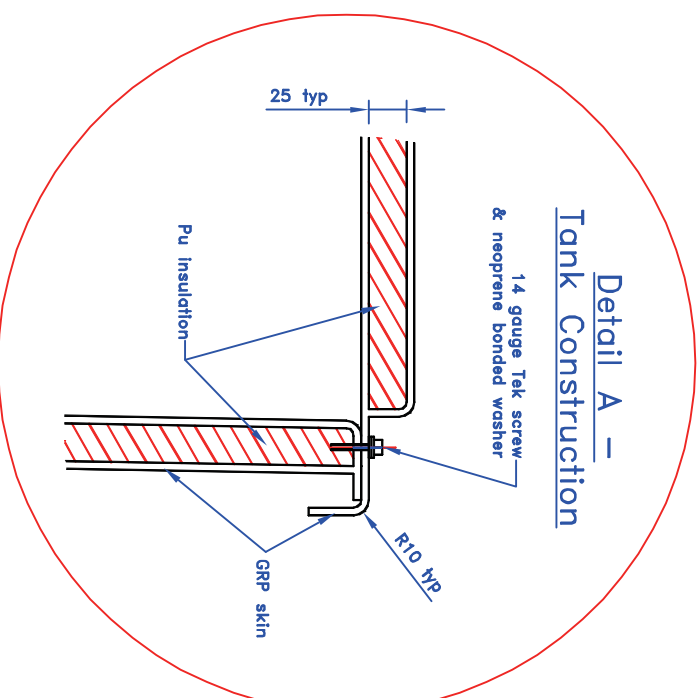
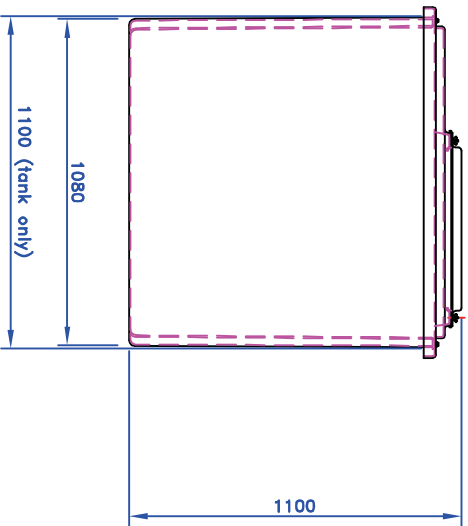
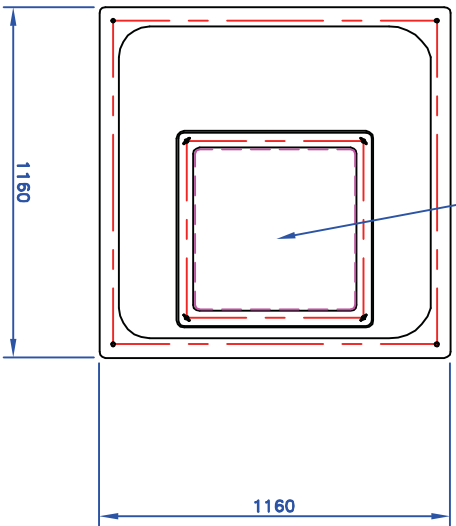


Standard Square Manway
See drawing 'MWS20 SQ'



DRAWING NO. PW 1000

SCALE 1:25

CUSTOMER S.SMITH

DATE 05/10/2008

ALL DIMENSIONS IN MM - DO NOT SCALE

NOTES: All Purerwater tanks must be fully supported on a flat, level & continuous foundation providing structural support to the tank when full to maximum operating capacity. Under no circumstances should the tank body be used to provide support to pipework and ancillary items. The tank lid is a structural part of the tank and must be in place and sealed correctly when water is contained within the tank.

TITLE: PW 1000 ONE PIECE COLD WATER STORAGE TANK

DATE MOD A

NOTES: TANK SPECIFICATION:

INTERNAL DIMS 1000 x 1000 x 1000mm

EXTERNAL DIMS 1160 x 1160 x 1100mm

NOM. CAPACITY 1000 Litres

DRY WEIGHT 54kg

INSULATION 25mm

purewater storage ltd
 Trillick Coppice Farm
 Middleton
 Timeworth
 Salford
 B78 2BU
 T: 0121 323 4000
 Fax: 0121 323 4400
 www.purerwaterstorage.co.uk