

LS-7 Series Standard Side Entry Level Switch

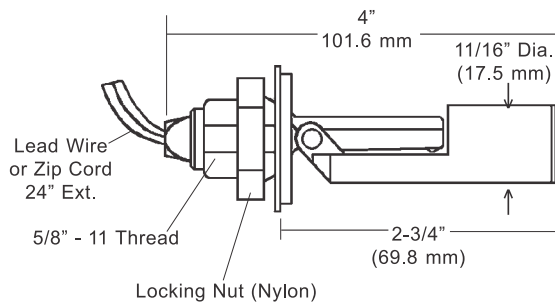
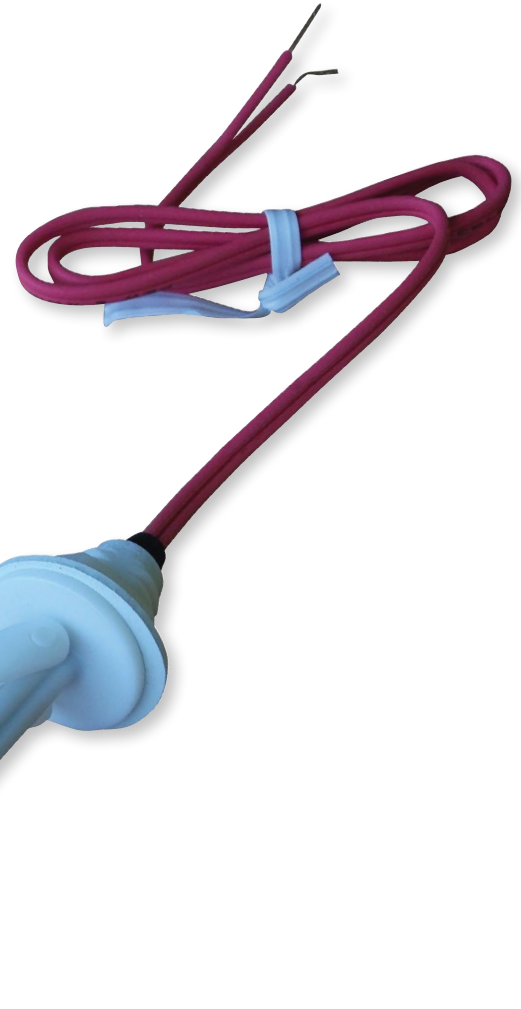
purewater.
storage ltd

LS-7 Series – Standard Side Entry Level Switch

SPECIFICATION	
Material (Stem & Mounting)	Polypropylene*
Material (Lead Wire Jacket)	TPE**
Min Specific Gravity of Liquid	0.55
Operating Temperature	-40°C up to +107°C
Operating Pressure Max at 25° C	7 bar
Switch SPST	20 VA
Lead Wire Gauge (approx. 0.6m long)	22 AWG
Float Arc	55mm
Protection Rating	IP65
Weight (approx.)	80g

* Not suitable for Hydrocarbons

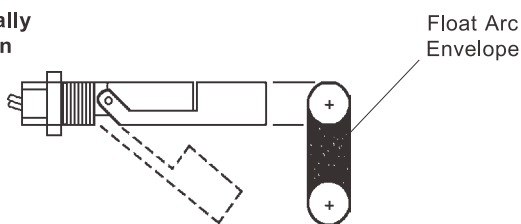
** Thermoplastic Elastomer Zip Cord



Switch Operation

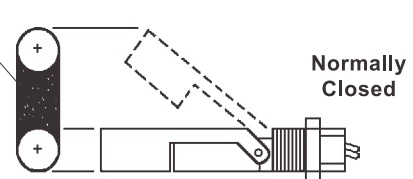
Depending on the mounting position, the float on these switches can either rise or lower with the liquid level. By rotating the switch 180°, the switch operation can be Normally Open or Normally Closed. Arrows on exterior of mounting indicate N.O. when point up.

Normally
Open



The switch is mounted so that the **float lowers** with the liquid level. **The switch is N.O.**

Float Arc
Envelope



Normally
Closed

The switch is mounted so that the **float rises** with the liquid level. **The switch is N.C.**

LS-7 Series

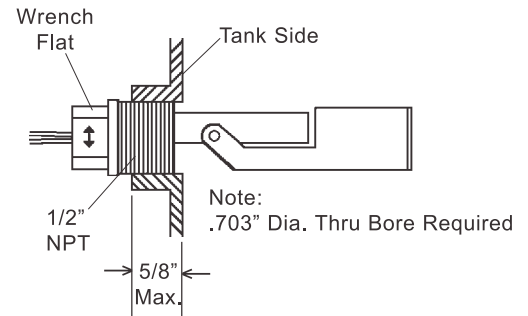
Standard Side Entry Level Switch

purewater
storage Ltd

Thread Treatment

Sealing: When threading metal threads into a metal coupling, pipe sealant or Teflon tape is recommended. Due to potential compatibility problems, when sealing plastic threaded units, a compatible pipe sealant such as *No More Leaks* from Permatex is recommended.

Tightening (Plastic to Metal): When threading a plastic level switch into a metal coupling, the installer should use a suitable wrench and tighten the threads 1 to 1-1/2 additional turns past hand-tight. Over-torquing of the threads will result in damage to the plastic mounting plug.

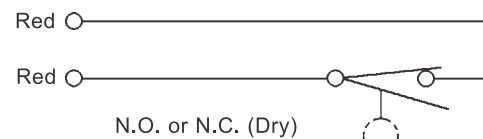


Electrical Connection

See Typical Wiring Diagram. Connect lead wires to load circuit, using approved method.

Switch Ratings - Maximum Resistive Load

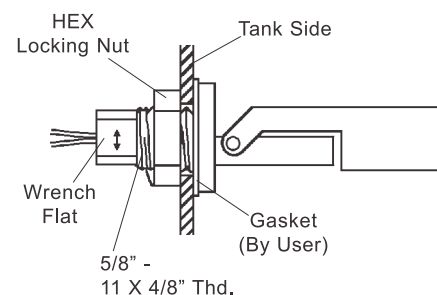
VA	Volts	Amps AC	Amps DC
20	0-30	.4	.3
Pilot Duty	120	.17	.13
	240	.080	.06



Installation

Assemble gasket (by user) on 5/8" - 11 threaded mounting and install unit through burr-free clearance hole in the tank side, from the inside of the tank. Lock in place with HEX nut (supplied).

Tighten to 15 in/lb max. Do not overtighten.



European Pressure Directive Addendum

The product is designed and manufactured in accordance with Sound Engineering Practice as defined by the Pressure Equipment Directive 97/23/EC. This product must not be used as a "safety accessory" as defined by the Pressure Equipment Directive, Article 1, Paragraph 2.1.3. The presence of a CE Mark on the unit does not relate to the Pressure Equipment Directive.

Maintenance

Normally, no maintenance of any kind is required. When excessive contamination is present in the liquid, an occasional wipe-down cleaning is all that is needed.