

Access Manway Range (For Retro-fitting)

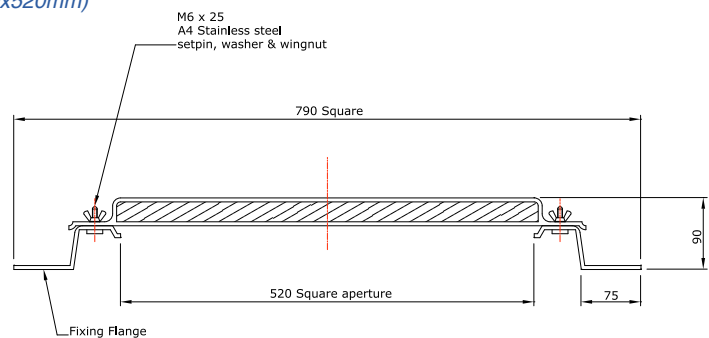
purewater.
storage ltd



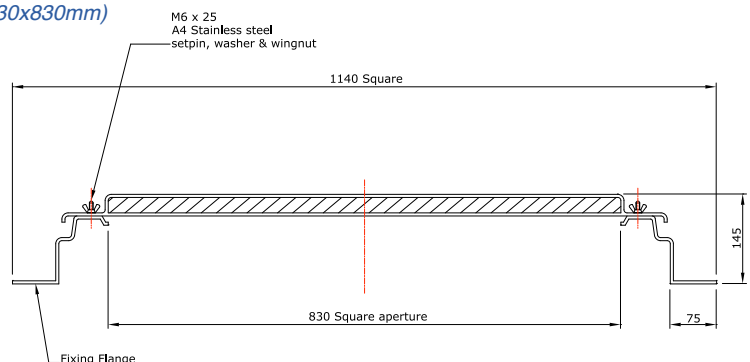
Retro-fit Access Manway

- Heavy duty Grp construction - robust and lightweight.
- Suitable for fitting to existing tanks and tank lids where insufficient access panels exist.
- An external fixing flange allows the manway to be bolted down to the existing lid.
- Two models available:
MW520SQ-RF (520 x 520mm opening)
MW830SQ-RF (830 x 830mm opening)
- Suitable for existing tanks manufactured from Grp, pressed steel, profile welded steel and most other materials.
- A cost effective solution to tank access problems without replacement of the whole tank lid.
- Full size replacement tank lids are also available, please telephone or take a look at our website.

MW520SQ-RF
(520x520mm)



MW830SQ-RF
(830x830mm)



Fixing flanges are supplied un-drilled.
Fixings & sealant to suit fixing to the existing tank are not included.

Current water regulations require a screened vent to be fitted to the lid of the tank, please see our comprehensive range of screened vents and overflows for these items.